



Endurus

# Weapon Bracket







## About Endurus

In a world that moves faster than the beat of time itself, our vision of enduring resilience and sustainability grows ever stronger. In an age where the moment reigns supreme, we cast our gaze further ahead. Time is our constant companion in our quest to efficiently craft lasting solutions for increased safety.

Rooted in half a century of product development, our brand carries a timeless ambition: to merge the wisdom of yesterday with the needs of tomorrow. With our focus on sustainability over time, we challenge the current approach to product lifecycles. For us, it's not enough to be reliable today and tomorrow; we see it as a vital promise to our customers that what we deliver remains steadfast far into the future.

Our approach to crafting products reflects our philosophy towards the passage of time. Each product is a tribute to durability, and every solution is a step towards a safer world. By adapting to the unique needs that emerge over time, we ensure that each product is more than a temporary tool – it's a part of our vision of lasting safety.

Yet, our commitment to long-term thinking doesn't make us static in our operations. Every moment is precious, and we take pride in our ability to deliver swiftly and precisely: while we plan for the future, we are always ready to meet today's needs.

We consider it our duty to make the most of every second and minute in our continuous pursuit of improvement, protection, and preservation. That's why we create products that contribute to increased safety today, and for all the tomorrows to come.

**Endurus - Long lasting security**



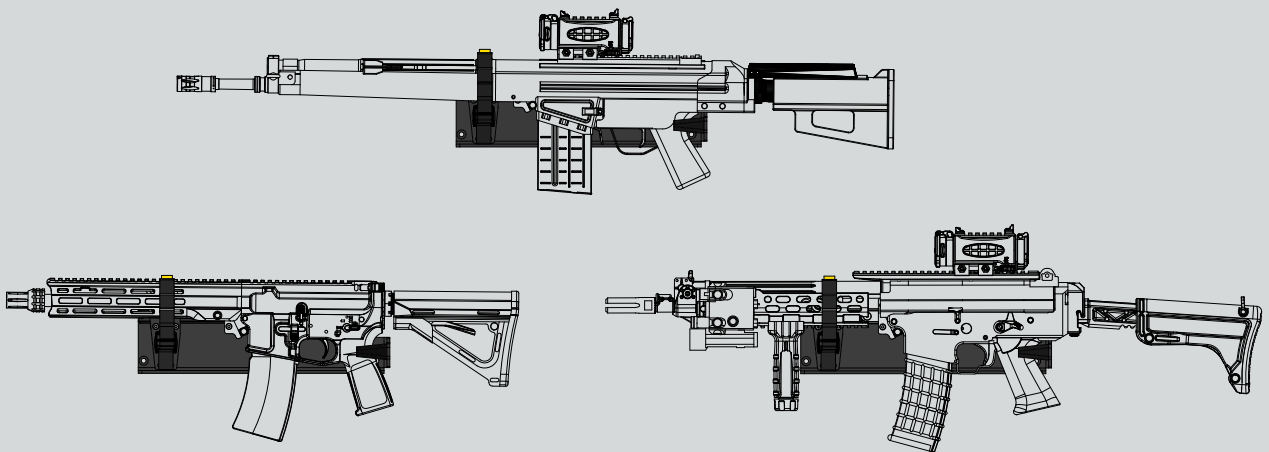
# Weapon Bracket

## Safety and quick access in all situations

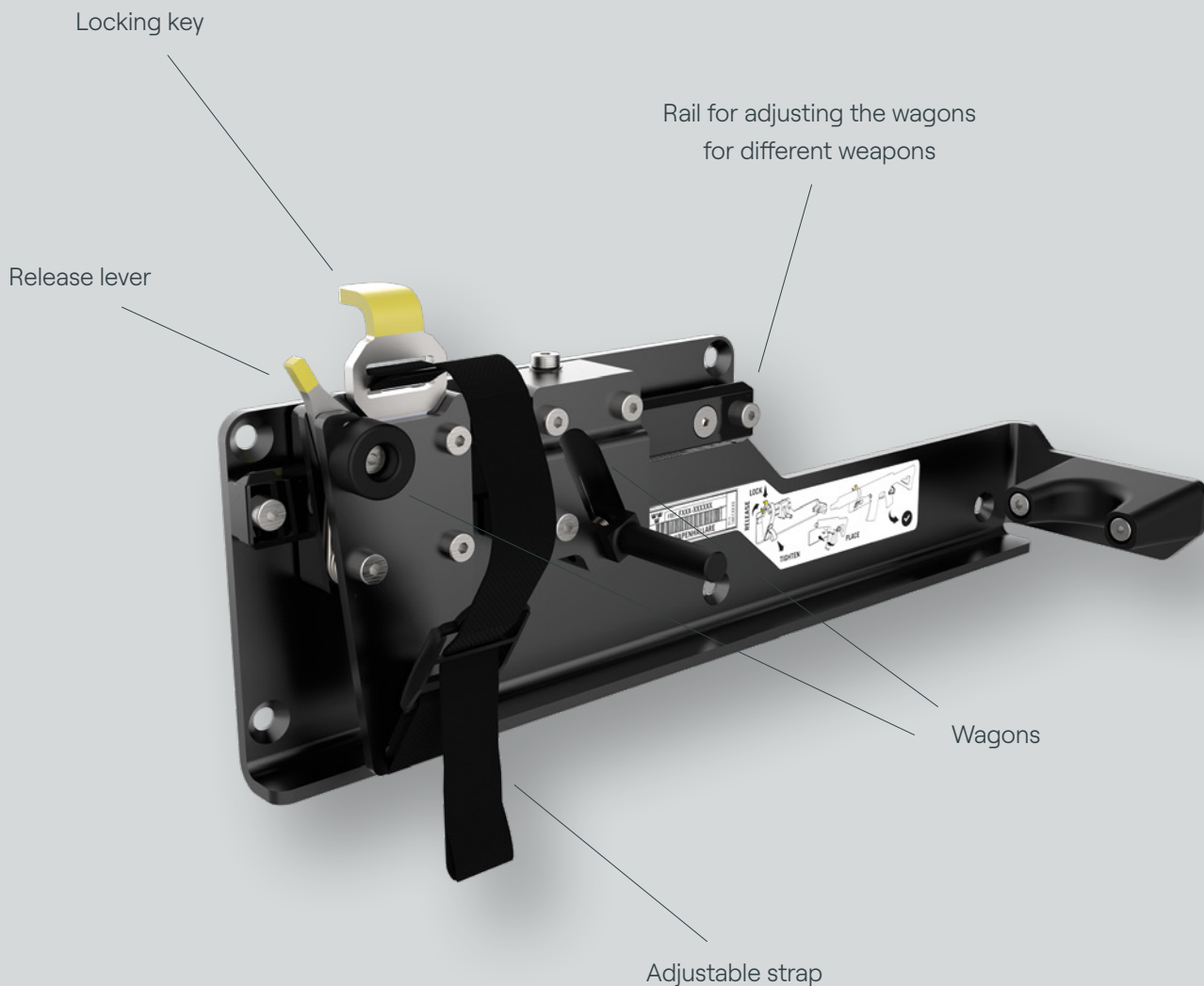
The Weapon Bracket is the optimal solution for secure weapon transport in vehicles, vessels and aircrafts. Its compact design allows for easy mounting in tight spaces, keeping your weapon within reach for quick and smooth access. The bracket keeps the weapon securely in place during transport, providing increased safety for both drivers and passengers while reducing the risk of injury and equipment damage.

## Flexible and adaptable

The Weapon Bracket is designed to accommodate a wide range of weapon systems. The attachments points are adjustable, ensuring a safe and secure fixation of most weapon systems. Its unique design secures the weapon at its center of mass rather than at the barrel, preserving the weapon's function and longevity.



**“Keeping your firearms safe and secure without compromising any vital parts”**



## Features

- **Adjustable design** – Fits multiple weapon models
- **Quick weapon release** – Maximizes efficiency in critical situations
- **Secure locking at the center of mass** – Prevents weapon damage
- **Compact and sleek** – Easy to install in various vehicles
- **Completely flat side** – Simple mounting on many surfaces
- **Available in both right- and left-handed versions** – Combine them to optimize use in your specific vehicle
- **Option for vehicle-specific adapters** – Custom mounting solutions available
- **Intuitive design** – Easy to use

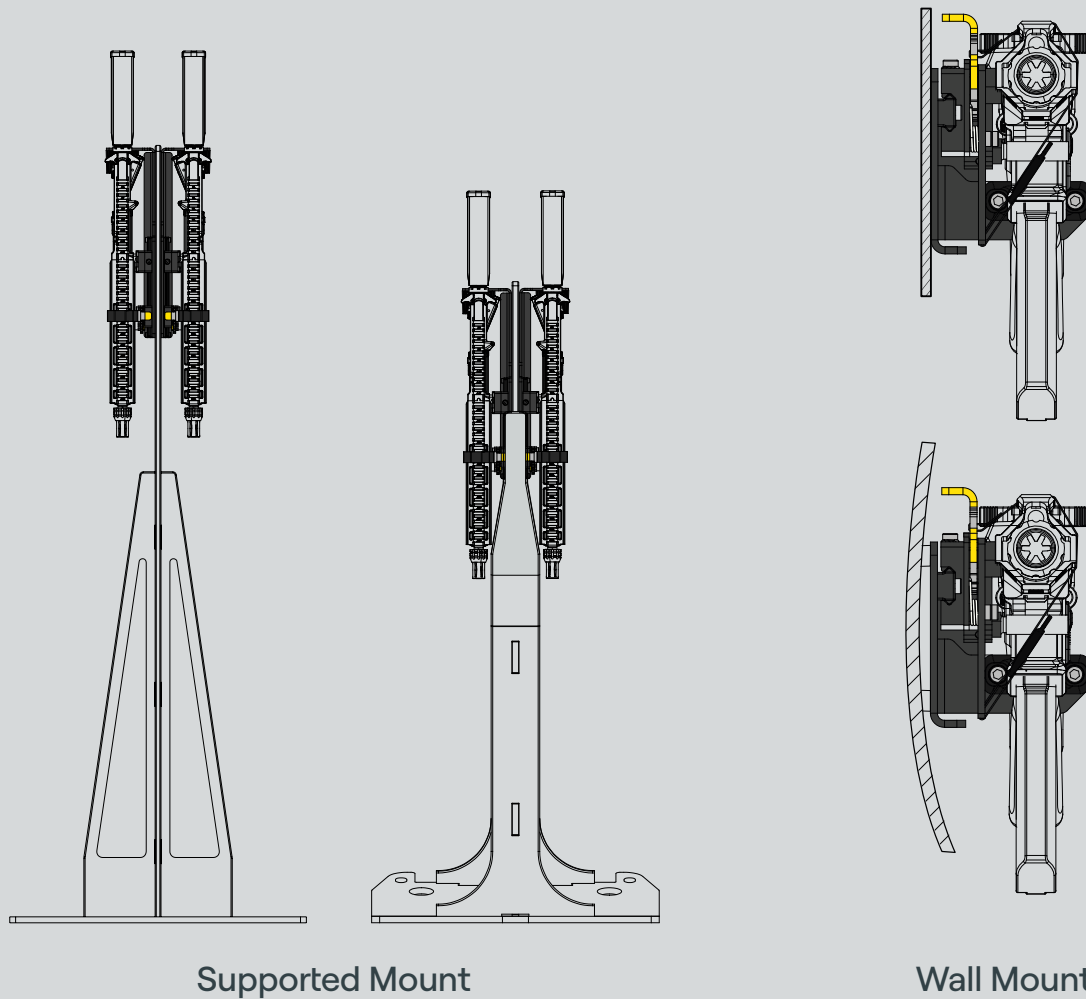


## Fits all vehicles, vessels and aircrafts

*- With customization options*

Every vehicle, vessel or aircraft is different, which is why the Weapon Bracket is compact, sleek, and features a completely flat side for easy mounting on various flat surfaces. The bracket also has the same hole pattern as our previous weapon brackets, making installation seamless if you wish to replace an older model. If a custom fit is required for your specific application, we can develop specific adapters. These adapters are tailored to the interface between your platform and the bracket. Additionally, we offer 3D scanning of your vehicle, vessel or aircraft to ensure the best mounting solution.





## Tested and certified

The Weapon Bracket has undergone rigorous physical testing in accordance with industry standards, including crash, vibration, shock, and cold climate tests. It meets *MIL-STD-810H Method 514.8* for vibration and *MIL-STD-810H Method 516.8* for shock resistance. In addition, system safety assessments and risk evaluations have been conducted to ensure a robust and reliable product.

## Sustainability and environmental considerations

The Weapon Bracket is a sustainable choice, as it accommodates multiple weapon types, reducing the need for individual brackets. Additionally, it is available in two versions – a standard model and a Scandinavian version manufactured in Sweden for customers with specific local production requirements.



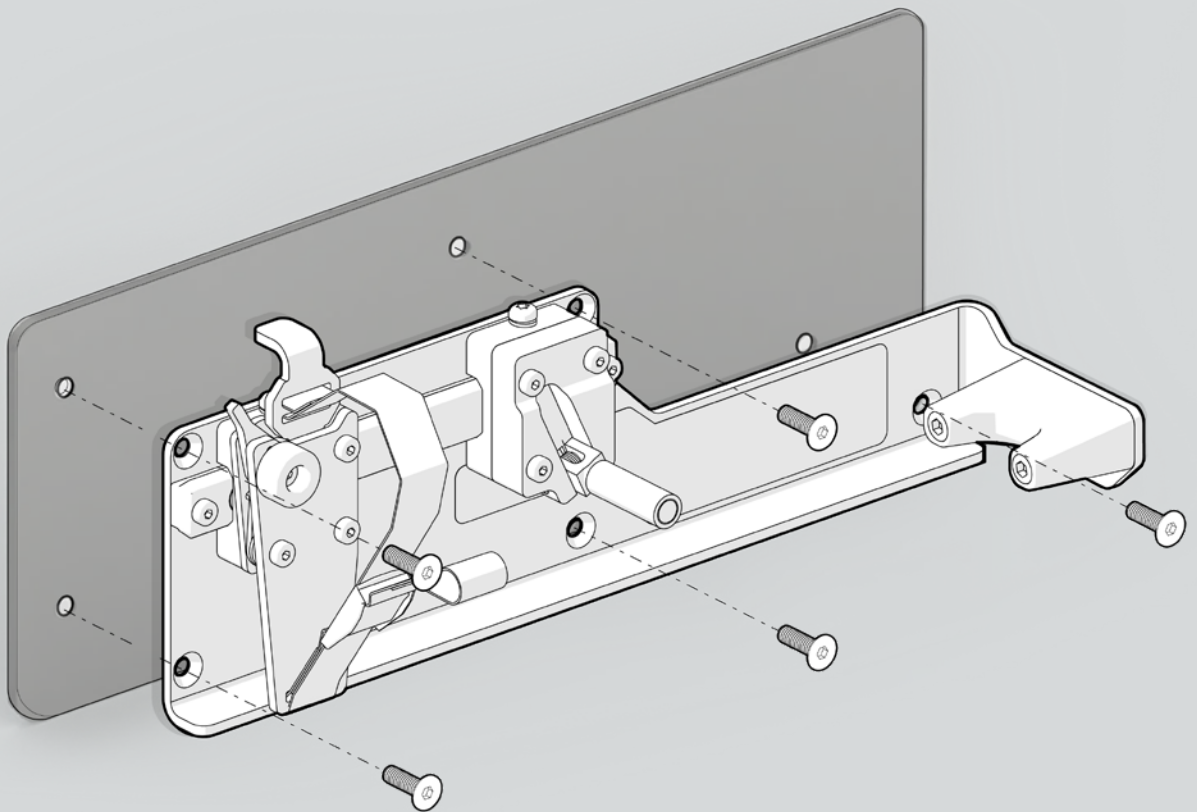


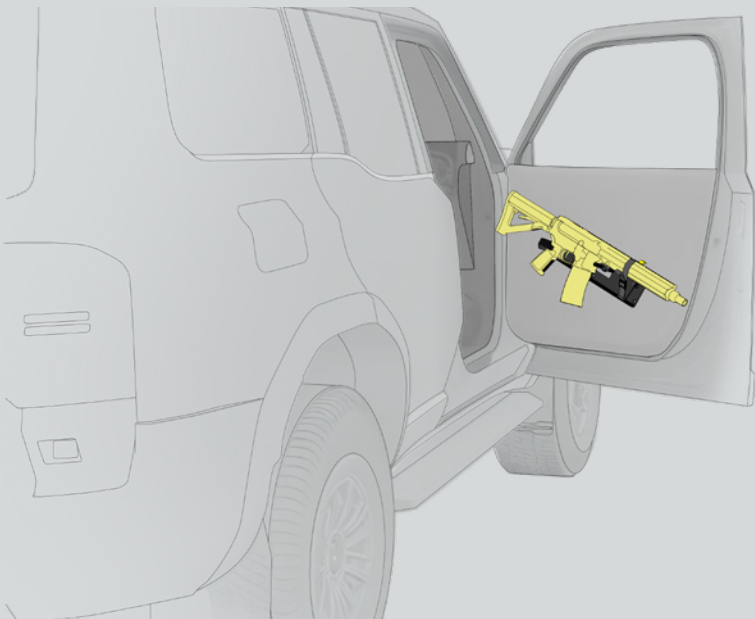
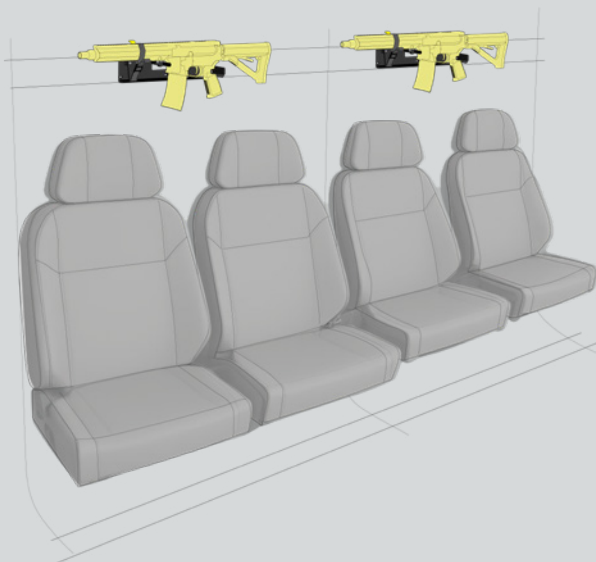
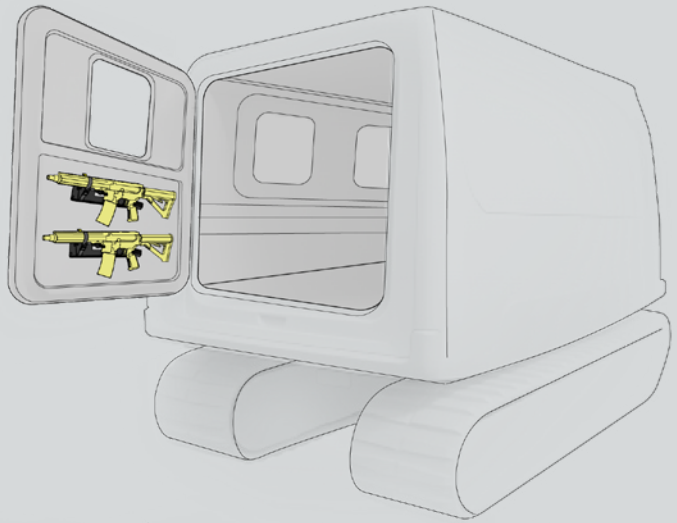
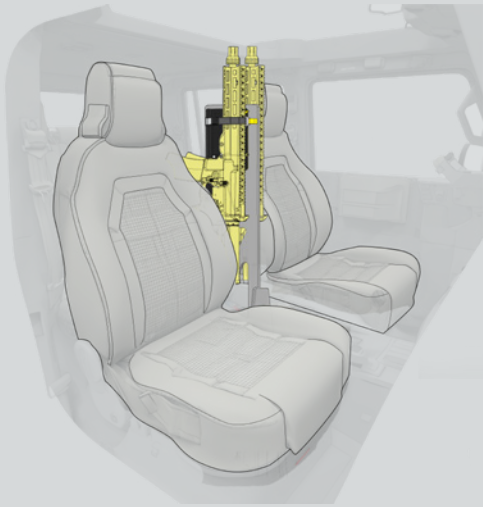


## Mounting - *Adaptable*

The Weapon Bracket integrates seamlessly into a wide range of platforms thanks to its compact form and flat mounting surface, enabling secure installation even in confined or unconventional spaces. It supports both vertical and horizontal mounting, and can be installed on floors, walls, or doors – providing maximum flexibility regardless of layout or operational needs.

To meet specific requirements, we offer customized mounting solutions. Through custom adapters and optional 3D scanning of your platform, we ensure a precise fit that maximizes both safety and usability, no matter the environment.







[www.endurus.com](http://www.endurus.com)